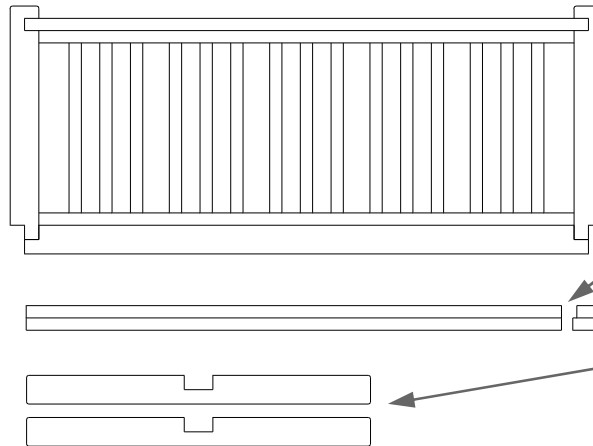


Bicycle Rack Assembly (Instructions for Assembly)

Hardware List

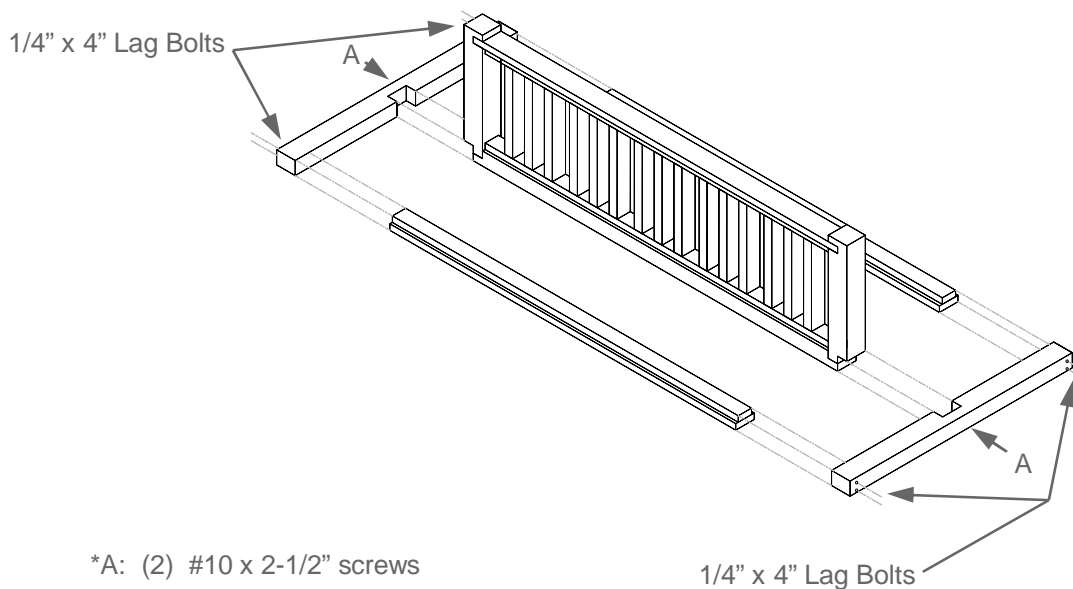
- 1/4" x 4" Lag bolts
(total 8)
- 1/4" Flat Washers
(total 8)
- #10 x 2-1/2" screws
(total 4)



Parts List

- ← Rack Piece
(total 1 pieces)
- ← Cross Members
(total 2 pieces)
- ← End Rails
(total 2 pieces)

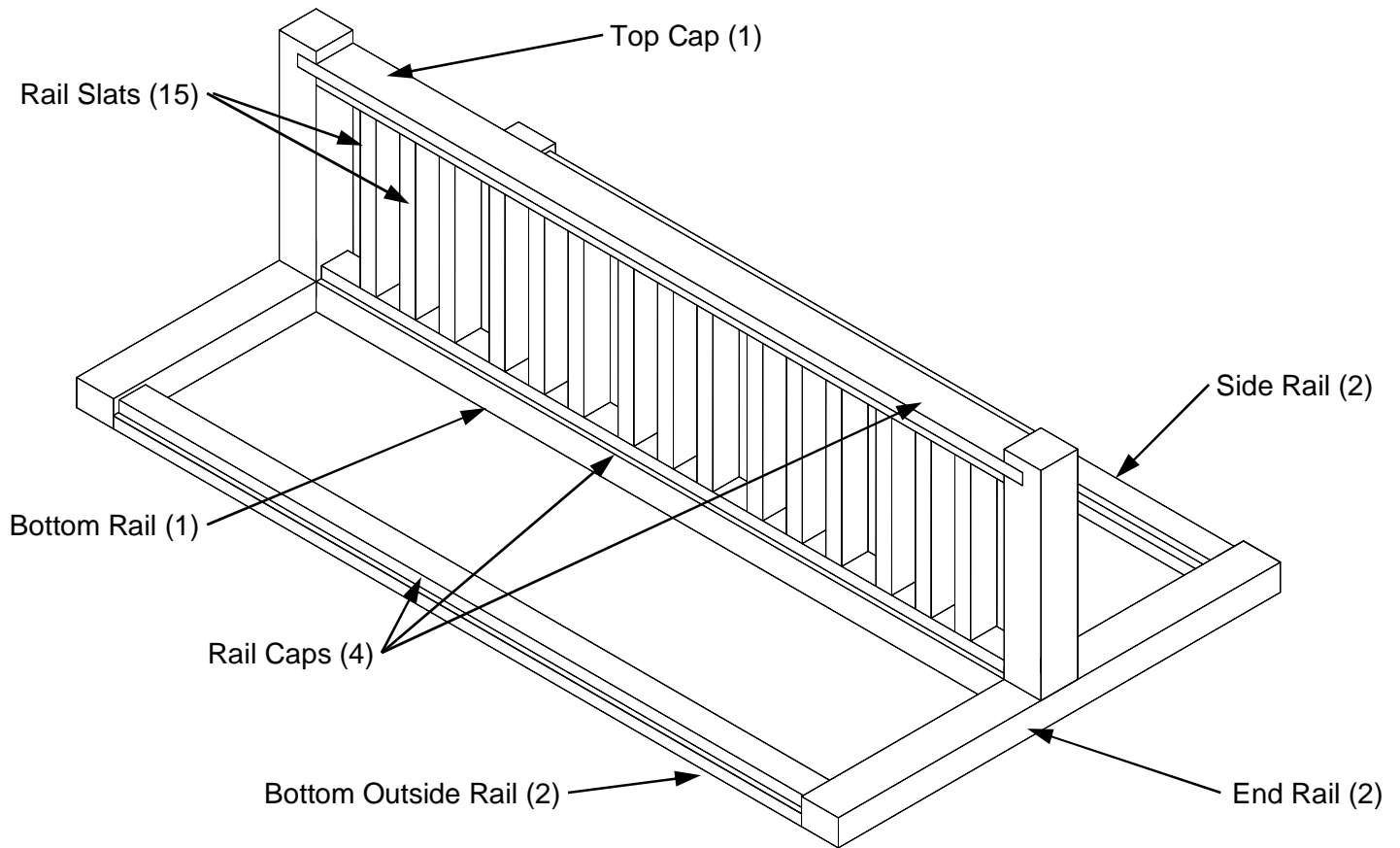
1. Attach the two end rails to the main rack piece using (2) # 10 x 2 1/2" screws for each end rail. Attach at point "A".
2. Align the two cross members with the edge of the end rails.
3. Attach the cross members by using the 4" lag bolts , at the pre-drilled holes, as shown in the drawing. Make sure to use the washers to ensure a tight fit.



*A: (2) #10 x 2-1/2" screws

1/4" x 4" Lag Bolts

Bicycle Rack Assembly



Bright Idea Shops LLC.
Plastic Lumber Works
540 South Main Street Building 7
Suite 714
Akron, Oh 44311
Phone: 330-258-0168
Fax: 330-258-0167
www.brightideashops.com