



Hexagonal Picnic Table Assembly (Instructions for Assembly)

Hardware supplied: 12 pieces 2 1/2" (#10) square head stainless steel screw
6 pieces 4 1/2" carriage bolt with 7/16" nuts and washers
6 pieces 2 3/4" carriage bolt with 7/16" nuts and washers
6 pieces acorn nuts
1 piece #2 square head driver bit

Tools required: 1/4" drill bit (needs to be 6" or longer)
variable speed drill or screw gun (cordless drill is fine)
7/16" socket or impact wrench
hammer or rubber mallet

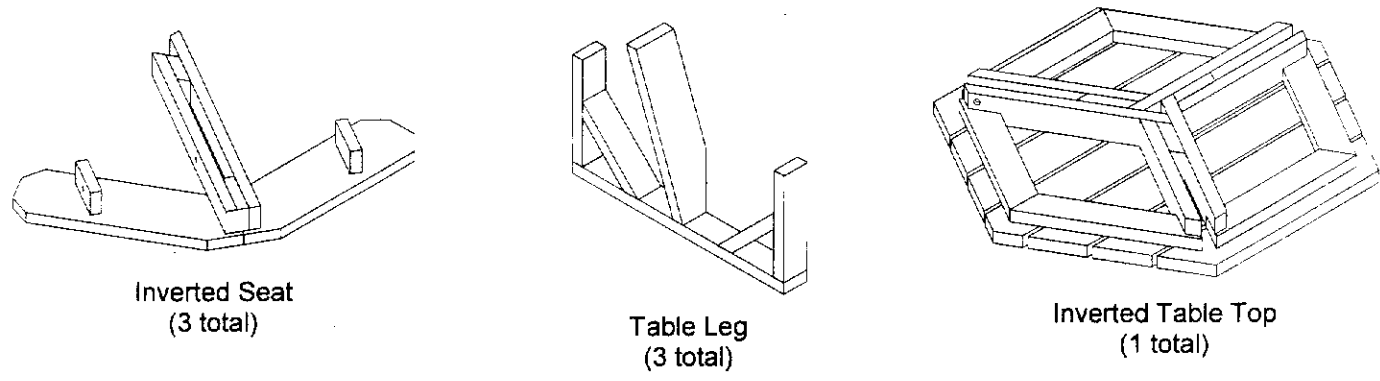
REFER TO ATTACHED FIGURES 1 THROUGH 3

1. Review the seat assembly diagram (fig. 2a). Assemble on a flat surface using 12 stainless steel screws. **IT IS IMPORTANT THAT THE SEATS BE ASSEMBLED IN THE ORDER DETAILED BELOW.** Align the three seats as shown. After alignment, screw 2 stainless steel screws into each position labeled "A" on the diagram. Put all screws into position "A". Then screw 2 stainless steel screws into each position labeled "B" on the diagram. **DO NOT SCREW INTO POSITION "B" FIRST.** If position "B" is screwed in first, a gap will form between adjacent seat airplanes at position "A". This gap will cause difficulty with further table assembly, and this gap can not be completely removed by next screwing into position "A".
2. Position the seat assembly approximately 15" off the floor. A five gallon plastic bucket under the center of the seat assembly works quite well.
3. Review the leg positioning diagram (fig. 2b). Insert all three legs through their respective seat. Center each leg to the counter bored holes in the seat assembly.
4. Remove the plastic bucket from underneath the seat assembly. Place the tabletop onto the legs.
5. **CHECK ALIGNMENT OF TOP AND SEAT ASSEMBLY BEFORE BEGINNING TO DRILL HOLES.** Alignment should be checked at four locations for each table leg, using (fig. 2b) as needed. First align the tabletop so that each leg sticks out slightly past the tabletop understructure. Adjust until all three legs stick out approximately the same distance (location #1). Then verify that each table leg is flat against the ground (location #2). Next center approximately the two vertical seat supports of each leg to the counter bored holes in the small blocks underneath each seat (location #3). Lastly verify the leg alignment at (location #4). You may have to adjust several times at each location.
6. Using a 1/4" x 6" drill bit, completely drill through the counter bored pilot holes (4 holes per leg/seat assembly, 12 holes total). **DO NOT LEAN ON TABLE TOP OR BENCH SEATS WHEN DRILLING.** Insert the proper size carriage bolt through the non-counter bored side and tap into place with a hammer. Insert washer and nut on counter bored side and tighten with socket wrench or impact.
 - Top= 3 holes with 4 1/2" carriage bolt
 - Leg= 3 holes with 4 1/2" carriage bolt
 - Seat= 6 holes with 2 3/4" carriage boltInset acorn nuts over the nuts at the top and leg positions.
7. Completed picnic tables should be positioned on a flat surface.

The Plastic Lumber Company Inc.
115 West Barges Street
Akron, Oh 44311
Phone: 330-762-8989
Fax: 330-762-1613
www.plasticlumber.com

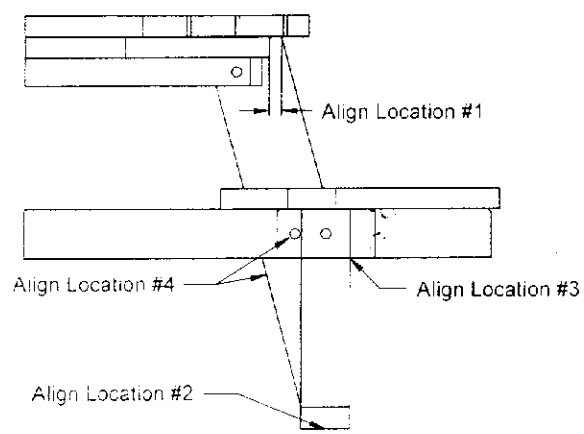
Shipped Component Parts

Figure 1

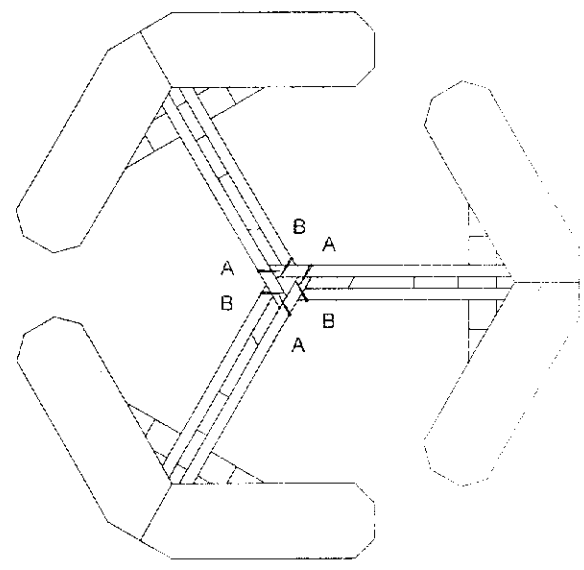


Assembly Diagrams

Figure 2



Seat Assembly Diagram
Figure 2a



Leg Positioning Diagram
Figure 2b

Assembled View

Figure 3

